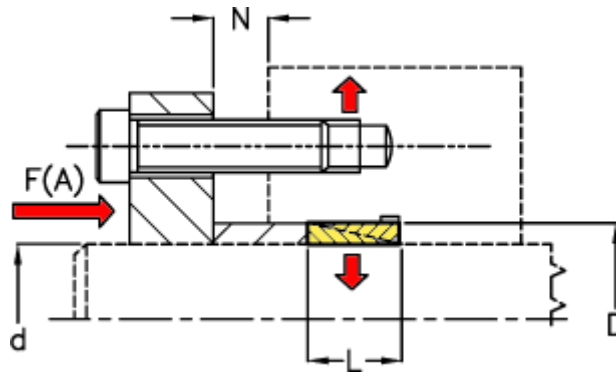


Article number: 433000007

Description: Rota-fix shaft-hub connection C 7x10

Note: Not self centering. Small radial dimensions

## Measures



d mm = 7

D mm = 10

F(A) kN = 5

Fit tolerance = Aksel  $\varnothing$  ? 38 h6, Aksel  $\varnothing$  > 38 h8, Nav  $\varnothing$  ? 38 H7, Nav >  $\varnothing$  38 H8

F kN torque = 1.0

L = 4.5

N1 = 3

N2 = 3

N3

N4

P N/mm<sup>2</sup> surface press

Surface roughness

T N m torque